



griffin & ray

LED Lighting

GU10 Dimmable Spot lights



Applications

LED retrofit GU 10 spotlights are suitable for all sorts of applications such as in Hotels, Hospitals, Museums, Universities, Bars & Restaurants, Showroom, Airport, Bathroom, Bedroom, Meeting Room, Office, School, Shopping Mall etc.

No compromise on the quality of lighting in terms on Lumen requirement and aesthetics. Looks exactly like the traditional Halogen GU 10 Spot lights with a potential saving up to 90 %.



6W

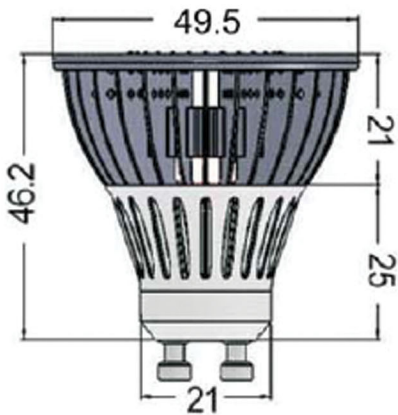
LED GU 10 Dimmable

Features

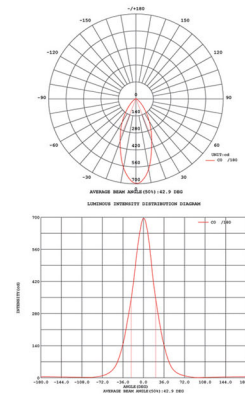
- ▶ Single Chip COB Technology.
- ▶ Built-in Reflectors for even Lighting.
- ▶ Dimming Level 0-100 % without Flickering.
- ▶ Looks exactly similar to GU 10 Halogen Lamp.
- ▶ No Halo , No Multiple Shadow Effect.
- ▶ Long Life Time 30000 to 50000 Hours.
- ▶ Cool Beam , No UV or Thermal Radiation.
- ▶ Eco-Friendly Light Source.
- ▶ Reduces Carbon Foot Print.

Product Code	Voltage (V)	Watts (W)	Lumens (Lm)	Beam Angle	CRI	CCT	Socket	Weight
CS1006230WW-D-30	230 AC	6	520	30°	80	2700K-2900K	GU 10	65g
CS1006230DW-D-30	230 AC	6	550	30°	80	4000K-4500K	GU 10	65g
CS1006230CW-D-30	230 AC	6	550	30°	80	5800K-6300K	GU 10	65g
CS1006230WW-D-50	230 AC	6	520	50°	80	2700K-3000K	GU 10	65g
CS1006230DW-D-50	230 AC	6	550	50°	80	4000K-5000K	GU 10	65g
CS1006230CW-D-50	230 AC	6	550	50°	80	5500K-6500K	GU 10	65g

Dimension



Luminous intensity Distribution



www.griffin-ray.com



Griffin & Ray Inc.

5201,
Great America Park way,
Suite 256
Santa Clara
California
USA.

- ☎ +1 408 8459411
- ☎ +1 408 7776375
- 🌐 www.griffin-ray.com
- ✉ info@griffin-ray.com