



griffin & ray

LEP Lighting

Street Lights



Applications

LEP Street Light is an ideal solution for energy efficient lighting retrofits in Street lighting, Tunnels, Bridges, Railroad lightings, Security lighting, Park lightings.

LEP, Light Emitting Plasma is the latest generation of solid state high intensity light source that brings clean natural lighting to whole new level with a energy saving of over 40 % compared to HID lamps with a Life of over 50000 Hours. The full spectrum of light is close to solar light and is directionally sourced and prevents lights from trapped at the light source. LEP is single source for generation of light no lumen reduction and failure in longer life time with CRI above 95 ensures enhanced night visibility than any other lighting source.

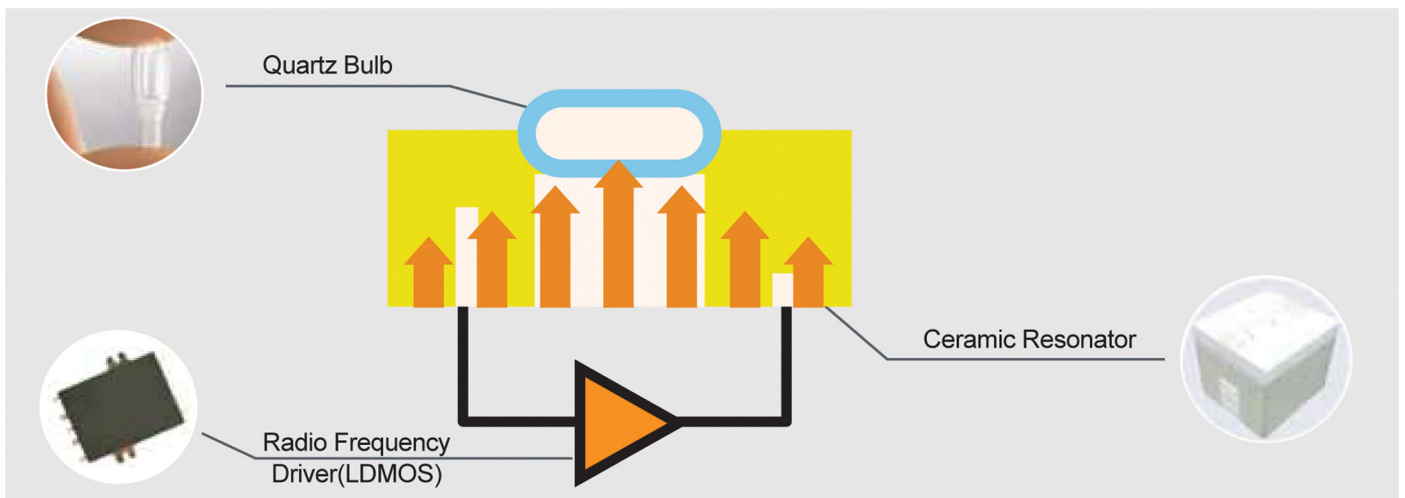
Working principle

LEP consists of two fundamental parts:

Emitter: A quartz bulb embedded in a ceramic resonator

Radio Frequency (RF) Driver: A solid-state RF generator and micro-controller

A radio-frequency signal is generated and amplified by the RF driver, which is guided into the ceramic resonator through a low loss coaxial cable. The structure of the resonator concentrates the RF field, delivering energy to the fully-sealed quartz lamp without electrodes or filaments. The highly concentrated electric field ionizes the gasses and vaporizes the halides in the lamp



Comparison of Specification by light source

LEP vs. LED

While LEP is a category of solid state lighting, it is not an LED. The main difference is the use of a solid state device; LEP uses the device to generate RF energy which powers the plasma light source. LED uses the device itself for light generation. Some of the similarities include the directionality of the light output, component reliability, and control systems integration. The main difference between the two is performance. LEP provides higher lumen density (200X greater), and a full color spectrum without phosphor conversion, resulting in superior performance in higher lumen applications.

LEP vs. HID

LEP's innovation over HID light sources is the removal of electrodes and use of solid state electronics, which results in better source efficacy, application efficiency, and reliability. Powering a lamp without electrodes in a compact resonator allows a completely sealed and more robust quartz lamp, a directional beam pattern to improve optical efficiency, and the ability to dim without impacting lamp life. Similar to HID, LEP sources have the ability to scale to high lumen packages easily without the need of multiple sources.

160-280
W

LEP Street Light

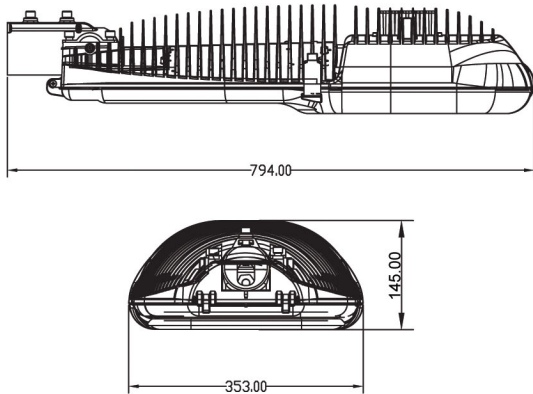


Features

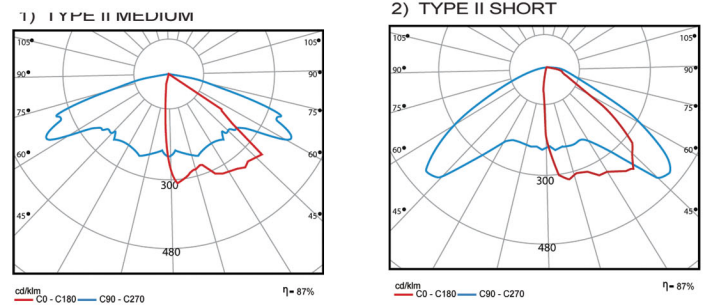
- ▶ Latest LEP technology.
- ▶ Uncompromised energy saving
- ▶ High color rendering index
- ▶ Dimmable and controllable
- ▶ 50,000 hrs life span
- ▶ Eco-Friendly Light Source.
- ▶ Reduces Carbon Foot Print.

Product Code	Voltage (V)	Watts (W)	CR I	Lumens (Lm)	CCT	Power Factor
GRLEPSL160CW	100-230V AC	160	75-95	12000	5600K-6300K	>95%
GRLEPSL280CW	100-230V AC	280	75-95	23000	5600K-6300K	>95%

Dimension



Luminous Intensity Distribution



www.griffin-ray.com

Griffin & Ray Inc.

5201,
Great America Park way,
Suite 256
Santa Clara
California
USA.

☎ +1 408 8459411

☎ +1 408 7776375

🌐 www.griffin-ray.com

✉ info@griffin-ray.com

