



griffin & ray

LED Lighting

Street Lights-Premium



Applications

LED street light is an ideal solution for energy efficient lighting retrofits in Street lighting, Tunnels, Bridges, Railroad lightings, Security lighting, Park lightings.

With no electrodes, the lamp lasts longer – in fact, up to 50,000 hours and is best suited for applications where lighting is difficult or expensive to replace due to the accessibility of the lights. Generates 50 % lesser heat compared to traditional lamps

250 W

LED

Street Light Premium

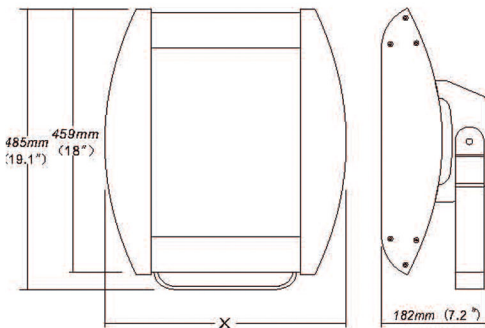


Features

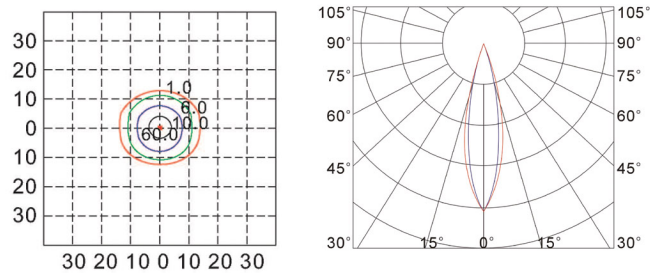
- ▶ Latest MCOB Technology.
- ▶ No Flickering.
- ▶ No Halo , No Multiple Shadow Effect.
- ▶ Long Life Time 30000 to 50000 Hours.
- ▶ Cool Beam , No UV or Thermal Radiation.
- ▶ Eco-Friendly Light Source.
- ▶ Reduces Carbon Foot Print.
- ▶ Material : Aluminium Alloy

Product Code	Voltage (V)	Watts (W)	Lumens (Lm)	CRI	CCT	Number of LEDs	Diamention (mm)	Class (IP)
GRLSL250230PR-CW	90-240 AC	250	27500	70	6000K	140	627	IP66

Dimension



Luminous Intensity Distribution



www.griffin-ray.com



Griffin & Ray Inc.

5201,
Great America Park way,
Suite 256
Santa Clara
California
USA.

- ☎ +1 408 8459411
- ☎ +1 408 7776375
- 🌐 www.griffin-ray.com
- ✉ info@griffin-ray.com