



griffin & ray Solar Lighting

Integrated Solar LED Street Light



Applications

Solar Integrated LED Street Light is an ideal solution for energy efficient lighting retrofits in Street lighting, Bridges, Railroad lightings, Security lighting, Park lighting.

Our Innovative Integrated all-in -one Solar Street Light which Integrates Solar panel, LED lamp and the Li-Fe battery into a single product and is easy to retrofit traditional Street Lights . Built-in PIR Sensor , Lamp lights up only when a movement happens to ensure additional energy saving.



griffin & ray

Solar Lighting

Integrated Solar LED Street Light

Introduction

The Integrated Solar Street Light is integrated by the sun lighting module and other accessories of solar products, environmental protection, combined with today's most efficient solar panel, the most energy-efficient LED lighting technology, the most environmentally friendly phosphoric acid iron battery. Add the intelligent control, to achieve real low power consumption, high brightness, long life and maintenance-free. Compact model and lightweight design, convenient installation and transportation makes it the first choice for environmental protection and an ideal energy saving product.



- ➔ Energy consumption has become National and Global priority
- ➔ Integrated solar street light which integrates the green-energy parts solar panel, LED lamp and the Li-Fe battery into a single product.
- ➔ With human intelligence induction system to gain the solution of low energy, long-time, high-luminance and free maintenance





griffin & ray

Solar Lighting

Integrated Solar LED Street Light

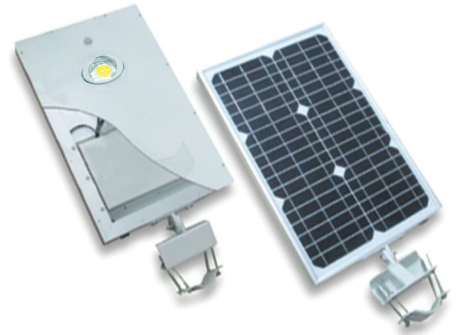
What is Integrated Solar LED Street Light ?

Integrated Solar LED Street Light is E-able power newly developed and patented solar product. It integrates solar panel, battery, controller and LED lamp into one body. It is easy and convenient to install and deliver it. You do nothing but install it directly on the pole, which will save you a lot of time and money for your installation. Major advantage is that it can work at full power of LED lights, and also work at half power to save electricity.

Solar panel, battery and LED lamp are all in one, which is waterproof. The shell is made from aluminium alloy, in cooperating with good waterproof and airless technology. Dustproof, waterproof, anti-static, shock resistance, makes it suitable for outdoor applications.

Be convenient to be dismantled, assembled, carried and transported. High-efficient solar panel supplies power for lithium battery of 12V which is explosion-proof and heat resistant.

High-efficient power generation, large capacity, high light efficiency, small volume, light weight, long life span. It can be lighted for 7 to 9 hours when shined for a whole sunny day.

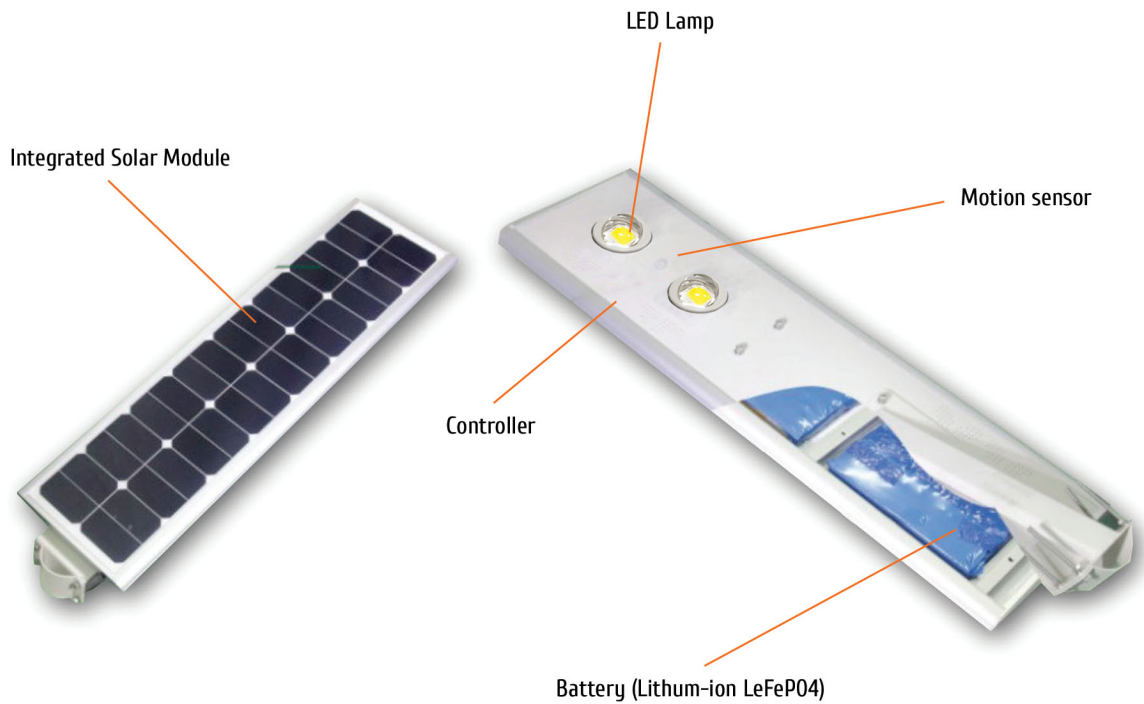




griffin & ray

Solar Lighting

Integrated Solar LED Street Light



The Features of Integrated Solar LED Street Light

- ➔ All in one
- ➔ Integrated design PV solar panel, LED lamp, battery and controller all in one box without any cable.
- ➔ Easy to install and ship.
- ➔ Easy to maintain and replace.
- ➔ High efficiency monocrystal Solar panel.
- ➔ 8w-40w high lumens LEDs.
- ➔ High capacity lithium battery.



griffin & ray

Solar Lighting

Integrated Solar LED Street Light

Advantages of Solar LED Street Light:

- Green energy, low power consumption, save 60%-80% than others.
- High power and brightness intensity, good color rendition.
- Save electricity cost, electric transformer and cable cost, free maintenance.
- Environmental impact – eliminate hazardous disposal, low light pollution and no radiation.
- Long lifetime: between 50,000-100,000 hours, if lighting 12 hours/night, could use at least 12 – 22 years.
- Less heat generated compared to other sources.
- Downward orientation of light, could adjust lighting angles and lighting range and shape on the shape and small lighting range.

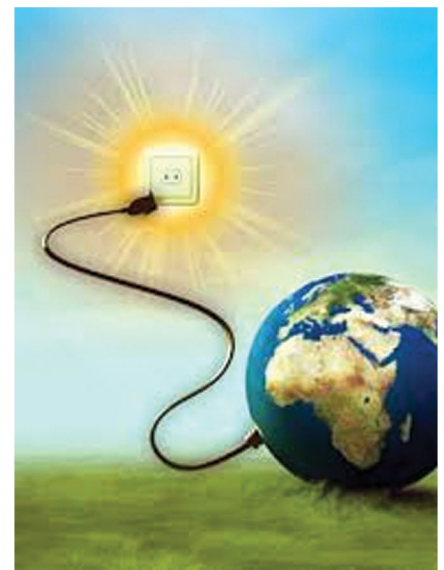
Integrated Solar Street Light which integrates the greenenergy parts solar panel, LED lamp and the Li-Fe battery into a single product, is with human intelligence induction system to gain the solution of low-energy, long time, high-luminance and free maintenance.

Product parts

The product is made up with the integrated parts (solar panel, Li-Fe battery, LED, MPPT controller and human intelligence induction system) and the light pole.

Working characters

The solar panel converts sunlight into electricity and stored in Li-Fe battery via controller, the LED light will work in night automatically by light sensor control, and provide light for the darkness area, the human intelligence induction system can save the energy when the lighting is not necessary.





griffin & ray

Solar Lighting

Integrated Solar LED Street Light

Unique Features

- Solar panel, batteries, controller and LED lamp are integrated into one body.
- High Lumen Bridgelux LED.
- LED life 30,000 to 50,000 Hours.
- High Efficiency Monocrystalline Solar Panel.
- Solar Panel Life span: 25 Years.
- Lithium Battery.
- Battery Charging Time: 6 Hours with Full Sunlight.
- Battery Discharge Time: Full Power- >15 hours.
- Built-in PIR Motion Sensor
- Applicable to the existing poles or new poles with height 3-6M, and pipe diameter 80mm.
- Material : Aluminium Alloy
- Water-proof and dust-proof (IP 65).
- Reduces Carbon Foot Print.



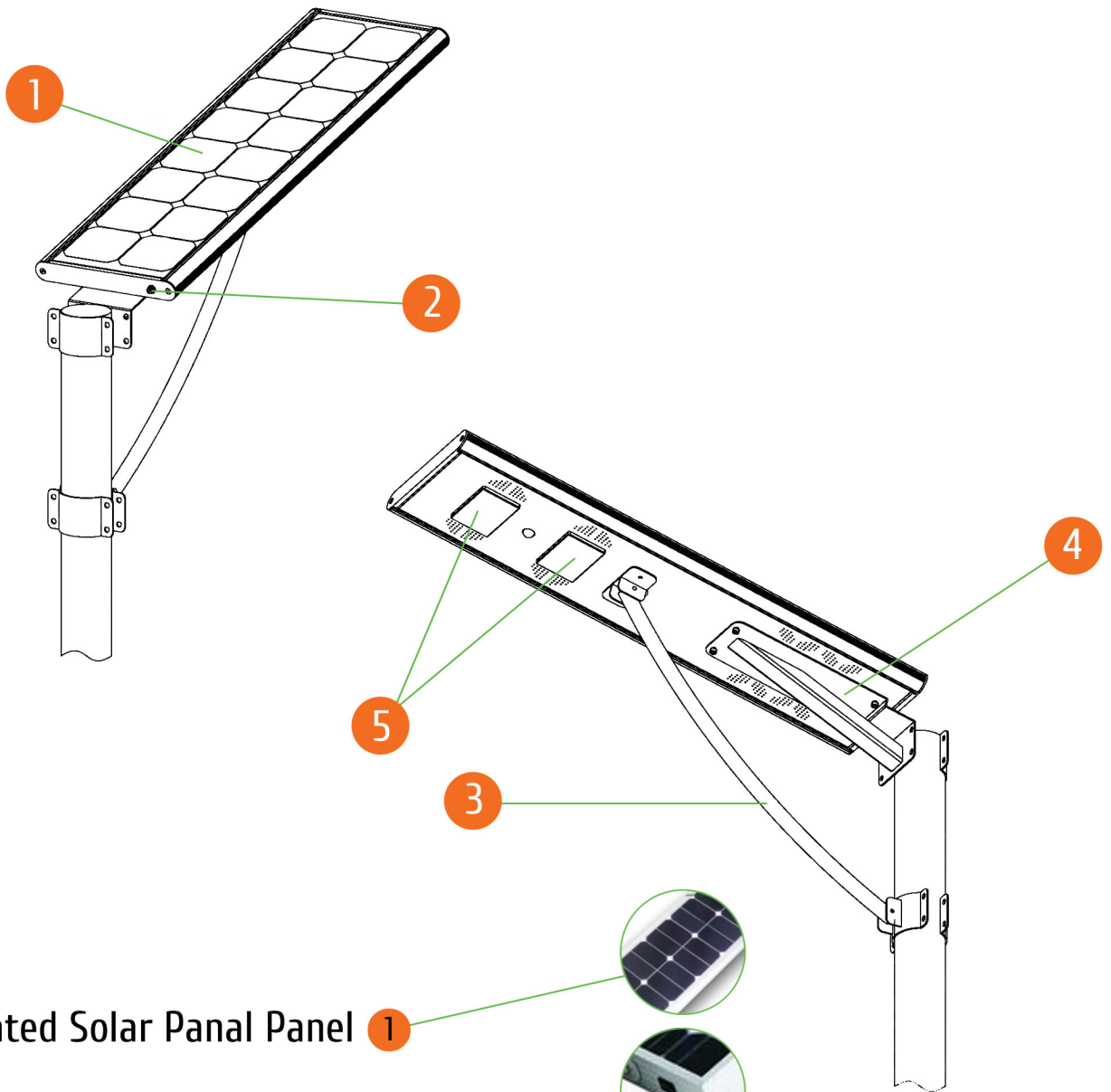


griffin & ray

Solar Lighting

Integrated Solar LED Street Light

Components



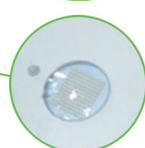
Integrated Solar Panel Panel 1

Fuse 2

Support Bracket 3

Fixed Tailstock 4

LED Lights 5





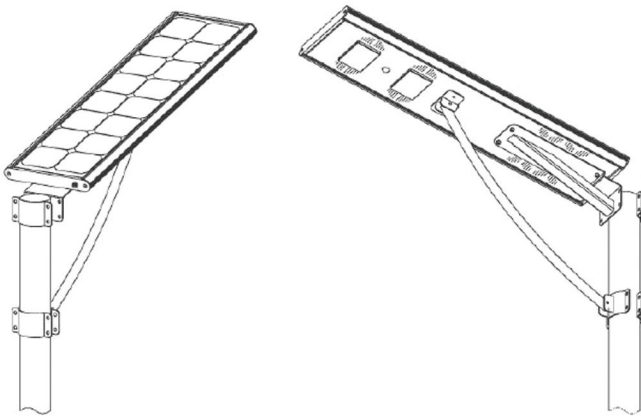
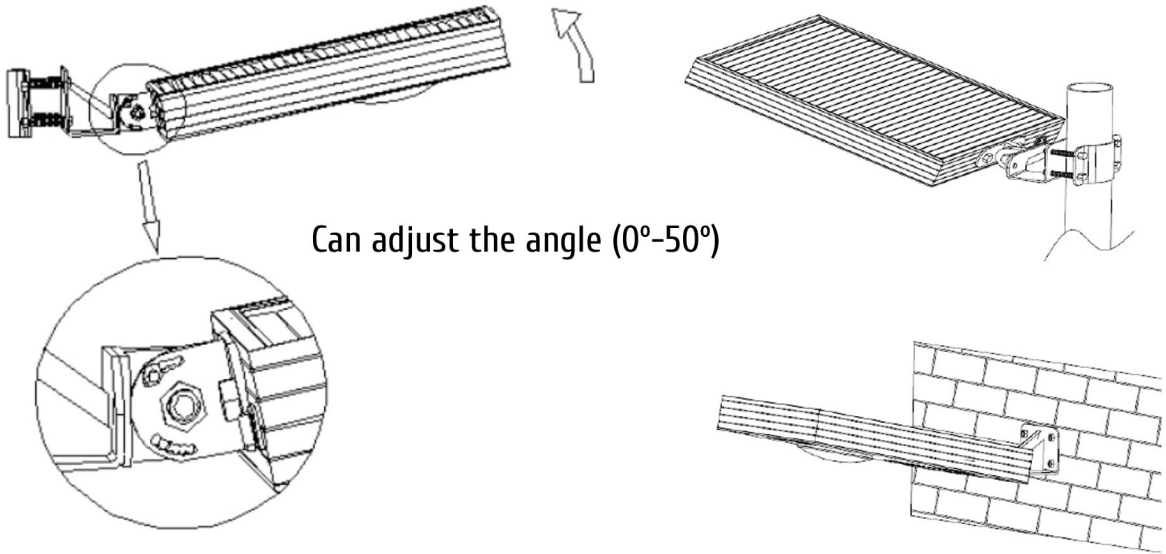
griffin & ray

Solar Lighting

Integrated Solar LED Street Light

Installation

Make the solar panel face south while installing. Meanwhile, you can adjust the angle between the lamp head and level (as follow), you'd better reconcile the lamp head with local latitude.



Intallation Notes

- Install fuse if present before use.
- Tool supplied to tighten security bolts provided.
- Face solar panel as much towards the north as possible to maximise sun exposure.

To place the light pole into the best spot with good day lighting . The light pole should be the length 4-6m, the thickness 2.0mm with material iron or steel, the diameter 50-90mm.

Unfold the knob of fuse (see below) and take out the insulating film if the fuse sockets, to check up if the fuse working right or not, and then tighten.

Place the lamp on the pole by its sleeve, special screw should be used and steady installation should be ensured.



20-40-60
W



Solar Lighting

Integrated Solar LED Street Light

Unique Features

- ▶ High efficiency Monocrystalline Solar Panel.
- ▶ High lumen Bridgelux LED.
- ▶ Lithium battery.
- ▶ Built-in PIR sensor.
- ▶ Battery charging time: 6 hours with full sunlight.
- ▶ Solar panel life span: 25 Years.
- ▶ LED life 30,000 to 50,000 hours.
- ▶ Battery discharge time: full power- >15 hours.
- ▶ Material : Aluminium Alloy
- ▶ Reduces carbon foot print.

Product Code	Solar Panel	LED Watts (W)	Lumens (Lm)	Battery	CCT	Beam Angle	Fixture Dimension	Class (IP)
GNR-INTLED-SSL-20	18v 45W Monocrystalline	20	2,000-2,200	Lithium (12.8V)	6000K	120°	830*330*45 mm	IP65
GNR-INTLED-SSL-40	18v 60W Monocrystalline	40	4,000-4,400	Lithium (12.8V)	6000K	120°	1180*325*40 mm	IP65
GNR-INTLED-SSL-60	18V 80W Monocrystalline	60	6,000-6,600	Lithium (12.8V)	6000K	120°	1200*380*160 mm	IP65



Bottom View (street light side)



Top View (solar panel side)

www.griffin-ray.com



Griffin & Ray Inc.

5201,
Great America Park way,
Suite 256
Santa Clara
California
USA.

☎ +1 408 8459411

☎ +1 408 7776375

🌐 www.griffin-ray.com

✉ info@griffin-ray.com