



griffin & ray

LED Lighting

MR 16 Dimmable Spot lights



Applications

LED retrofit MR 16 spotlights are suitable for all sorts of applications such as in Hotels, Hospitals, Museums, Universities, Bars & Restaurants, Showroom, Airport, Bathroom, Bedroom, Meeting Room, Office, School, Shopping Mall etc.

No compromise on the quality of lighting in terms on Lumen requirement and aesthetics. Looks exactly like the traditional Halogen MR 16 Spot lights with a potential saving up to 90 %.

6W



LED

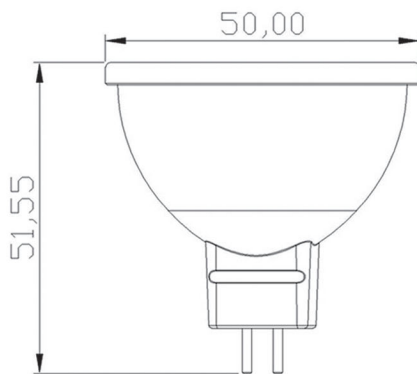
MR 16 Spot Light
Dimmable

Features

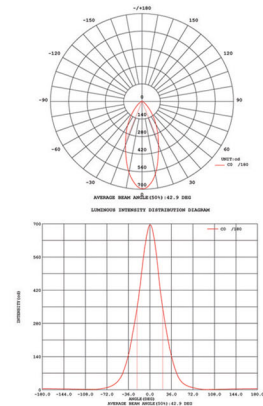
- ▶ Single Chip COB Technology.
- ▶ Built-in Reflectors for even Lighting.
- ▶ Dimming Level 0-100 % without Flickering.
- ▶ Looks exactly similar to MR 16 Halogen Lamp.
- ▶ No Halo , No Multiple Shadow Effect.
- ▶ Long Life Time 30000 to 50000 Hours.
- ▶ Cool Beam , No UV or Thermal Radiation.
- ▶ Eco-Friendly Light Source.
- ▶ Reduces Carbon Foot Print.

Product Code	Voltage (V)	Watts (W)	Lumens (Lm)	Beam Angle	CRI	CCT	Socket	Weight
GR160612WW-D-38	12	6	500	38°	80	2700K-3000K	GU 5.3	60g
GR160612DW-D-38	12	6	510	38°	80	4000K-5000K	GU 5.3	60g
GR160612CW-D-38	12	6	550	38°	80	5500K-6500K	GU 5.3	60g
GR160612WW-D-60	12	6	500	60°	80	2700K-3000K	GU 5.3	60g
GR160612DW-D-60	12	6	510	60°	80	4000K-5000K	GU 5.3	60g
GR160612CW-D-60	12	6	550	60°	80	5500K-6500K	GU 5.3	60g

Dimension



Luminous Intensity Distribution



www.griffin-ray.com

Griffin & Ray Inc.

5201,
Great America Park way,
Suite 256
Santa Clara
California
USA.

☎ +1 408 8459411

☎ +1 408 7776375

🌐 www.griffin-ray.com

✉ info@griffin-ray.com



griffin & ray