



griffin & ray

LED Lighting

Spot Lights MR16 -230 V AC



Applications

LED retrofit MR16 spotlights are suitable for all sorts of applications such as in Hotels, Hospitals, Museums, Universities, Bars & Restaurants, Showroom, Airport, Bathroom, Bedroom, Meeting Room, Office, School, Shopping Mall etc.

No compromise on the quality of lighting in terms on Lumen requirement and aesthetics. Looks exactly like the traditional Halogen MR16 Spot lights with a potential saving up to 90 %.

5W



LED

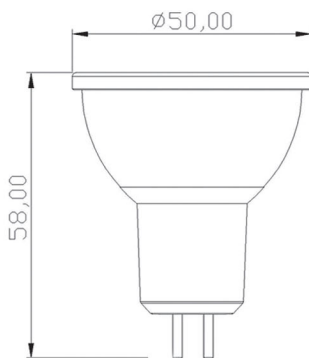
Spot Light
MR 16 - 230 VAC

Features

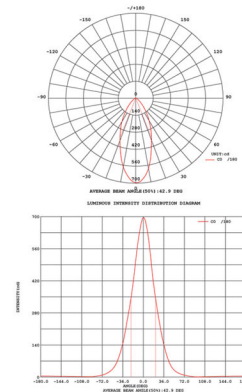
- ▶ Single chip COB technology.
- ▶ Built-in reflectors for even lighting.
- ▶ Looks exactly similar to MR16 halogen lamp.
- ▶ No halo , No multiple shadow effect.
- ▶ Long life time 30000 to 50000 hours.
- ▶ Cool beam , No UV or thermal radiation.
- ▶ Eco-friendly light source.
- ▶ Reduces carbon foot print.

Product Code	Voltage (V)	Watts (W)	Lumens (Lm)	Beam Angle	CRI	CCT	Socket
GR1605230WW	220-240 AC	5	400	38°	80	2700K-3000K	MR16
GR1605230DW	220-240 AC	5	420	38°	80	3500K-4000K	MR16
GR1605230CW	220-240 AC	5	450	38°	80	5000K-6000K	MR16

Dimension



Luminous Intensity Distribution



www.griffin-ray.com

Griffin & Ray Inc.

5201,
Great America Park way,
Suite 256
Santa Clara
California
USA.

☎ +1 408 8459411

☎ +1 408 7776375

🌐 www.griffin-ray.com

✉ info@griffin-ray.com



griffin & ray