



griffin & ray

LED Lighting

Non Dimmable Candle Bulbs



Applications

LED retrofit Candle Lights are suitable for all sorts of applications such as in Hotels, School, Hospitals, Museums, Universities, Bars & Restaurants, Showroom, Airport, Bathroom, Bedroom, Meeting Room, Office, Shopping Mall etc.

No compromise on the quality of lighting in terms on Lumen requirement and aesthetics. Looks exactly like the traditional Candle lights with a potential saving up to 90 %.



2.5^W

LED

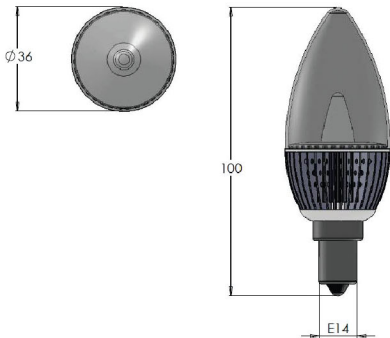
E14 Candle Light Non Dimmable

Features

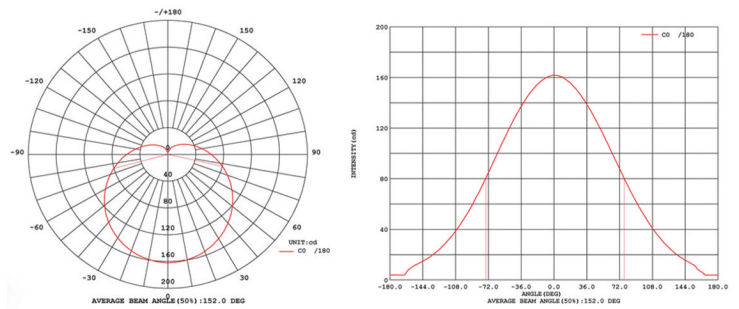
- ▣ SMD LED Technology
- ▣ No Halo , No Multiple Shadow Effect.
- ▣ Long Life Time 30000 to 50000 Hours.
- ▣ Eco-Friendly Light Source.
- ▣ Reduces Carbon Foot Print.

| Product Code | Voltage (V) | Watts (W) | Lumens (Lm) | Beam Angle | CRI | CCT | Socket | Weight |
|------------------|-------------|-----------|-------------|------------|-----|-------------|-----------|--------|
| GR14C2.5230WW-ND | 220 AC | 2.5 | 150 | 110° | 80 | 2600K-3300K | E14 / E17 | 31g |
| GR14C2.5230DW-ND | 220 AC | 2.5 | 150 | 110° | 80 | 4000K-4500K | E14 / E17 | 31g |
| GR14C2.5230CW-ND | 220 AC | 2.5 | 150 | 110° | 80 | 5300K-7000K | E14 / E17 | 31g |

Dimension



Luminous Intensity Distribution



www.griffin-ray.com

Griffin & Ray Inc.

5201,
Great America Park way,
Suite 256
Santa Clara
California
USA.

☎ +1 408 8459411

📠 +1 408 7776375

🌐 www.griffin-ray.com

✉ info@griffin-ray.com

