



griffin & ray

LED Lighting

Street Lights-Premium



Applications

LED street light is an ideal solution for energy efficient lighting retrofits in Street lighting, Tunnels, Bridges, Railroad lightings, Security lighting, Park lightings.

With no electrodes, the lamp lasts longer – in fact, up to 50,000 hours and is best suited for applications where lighting is difficult or expensive to replace due to the accessibility of the lights. Generates 50 % lesser heat compared to traditional lamps

120 W

LED

Street Light Premium

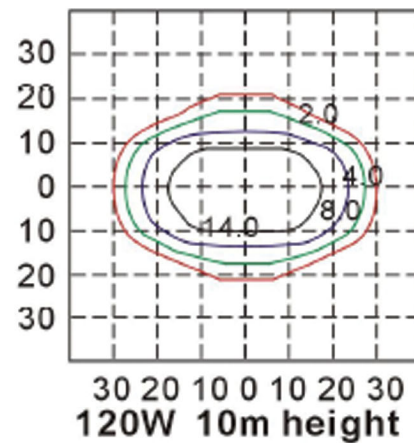
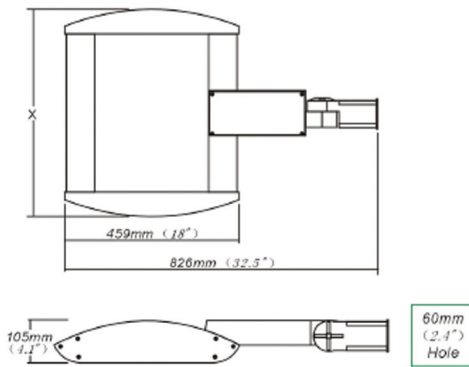
Features

- ▶ Latest MCOB Technology.
- ▶ No Flickering.
- ▶ No Halo , No Multiple Shadow Effect.
- ▶ Long Life Time 30000 to 50000 Hours.
- ▶ Cool Beam , No UV or Thermal Radiation.
- ▶ Eco-Friendly Light Source.
- ▶ Reduces Carbon Foot Print.
- ▶ Material : Aluminium Alloy



Product Code	Voltage (V)	Watts (W)	Lumens (Lm)	CRI	CCT	Number of LEDs	Diamention (mm)	Class (IP)
GRLSL120230PR-CW	90-240 AC	120	11400	70	6000K	80	414	IP66

Luminous Intensity Distribution



www.griffin-ray.com



Griffin & Ray Inc.

5201,
Great America Park way,
Suite 256
Santa Clara
California
USA.

- ☎ +1 408 8459411
- ☎ +1 408 7776375
- 🌐 www.griffin-ray.com
- ✉ info@griffin-ray.com